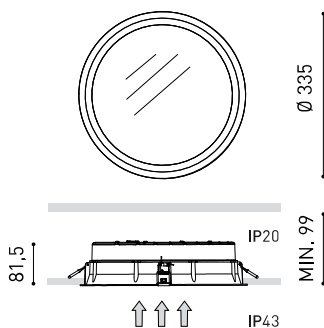




DIMENSIONS



Name	DEEP MAXI 3 3000K WT
Reference	A2480311WT
Color	Textured white
RAL	9016
Category	CEILING RECESSED

Type	LED
Gross luminous flux	3450 lm
Colour temperature	3000 K
Chromatic stability	MacAdam Step 2
Colour Rendering Index	CRI >90
Power	22 W
Current	500 mA
Efficacy	157 lm/W
LED lifespan	L80B10 >60.000h

Lighting efficiency	85%
Light beam angle	99°

Driver	Included - Connected
Power values of the system	25,00 W
Voltage	220V/240V
Frecuency	50/60 Hz
Dimming	No Dim
Electrical insulation class	□

Sealing	IP43
Wireless control	Please Consult
Emergency power supply	Please Consult
Impact resistance	IK07
Recess measurements	Ø320 mm
Weight	2010 g
Packaged weight	2455,9 g
Packaging dimensions	420 x 370 x 105 mm
Units per package	1
Materials	Aluminium / Polymethyl Methacrylate

PRODUCT

LIGHT SOURCE

LIGHTING FIXTURE | PHOTOMETRIC DATA

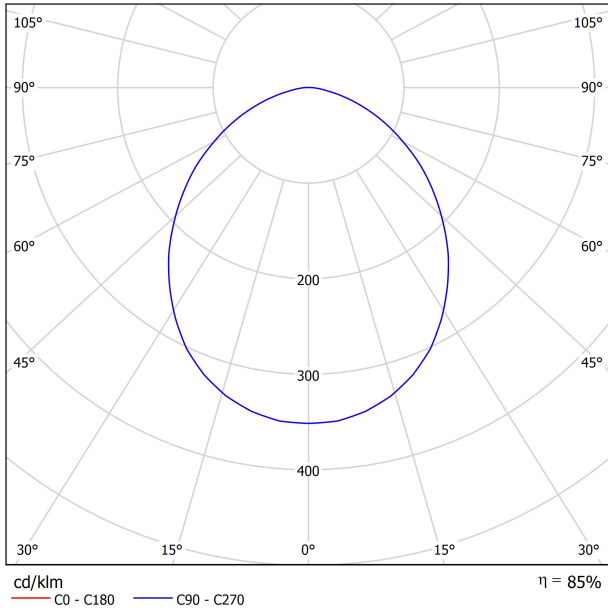
LIGHTING FIXTURE | ELECTRICAL DATA

OTHER DATA

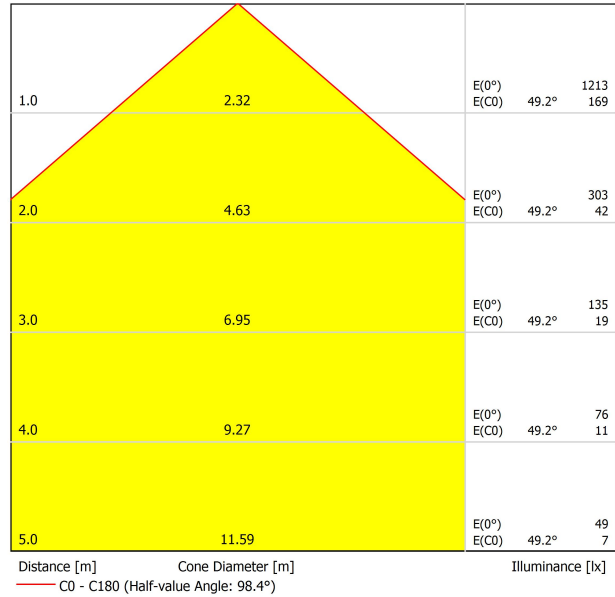


Deep is a LED downlight for general lighting functions whose main feature is its attractive aspect, with the diffuser considerably set back with respect to the plane of the perimeter frame.

POLAR DIAGRAM



CONICAL DIAGRAM



UGR

Glare Evaluation According to UGR											
ρ Ceiling		70	70	50	50	30	70	70	50	50	30
ρ Walls		50	30	50	30	30	50	30	50	30	30
ρ Floor		20	20	20	20	20	20	20	20	20	20
Room Size X Y		Viewing direction at right angles to lamp axis					Viewing direction parallel to lamp axis				
2H	2H	21.1	22.3	21.4	22.6	22.8	21.1	22.3	21.4	22.6	22.8
	3H	22.5	23.7	22.8	23.9	24.2	22.5	23.7	22.8	23.9	24.2
	4H	23.0	24.0	23.3	24.3	24.6	23.0	24.0	23.3	24.3	24.6
	6H	23.2	24.2	23.6	24.5	24.8	23.2	24.2	23.6	24.5	24.8
	8H	23.3	24.2	23.7	24.5	24.9	23.3	24.2	23.7	24.5	24.9
4H	2H	21.6	22.6	21.9	22.9	23.2	21.6	22.6	21.9	22.9	23.2
	3H	23.2	24.1	23.6	24.4	24.8	23.2	24.1	23.6	24.4	24.8
	4H	23.8	24.6	24.2	24.9	25.3	23.8	24.6	24.2	24.9	25.3
	6H	24.1	24.8	24.5	25.2	25.6	24.1	24.8	24.5	25.2	25.6
	8H	24.2	24.9	24.7	25.2	25.7	24.2	24.9	24.7	25.2	25.7
8H	2H	21.6	22.6	21.9	22.9	23.2	21.6	22.6	21.9	22.9	23.2
	3H	23.2	24.1	23.6	24.4	24.8	23.2	24.1	23.6	24.4	24.8
	4H	23.8	24.6	24.2	24.9	25.3	23.8	24.6	24.2	24.9	25.3
	6H	24.1	24.8	24.5	25.2	25.6	24.1	24.8	24.5	25.2	25.6
	8H	24.2	24.9	24.7	25.2	25.7	24.2	24.9	24.7	25.2	25.7
12H	2H	21.6	22.6	21.9	22.9	23.2	21.6	22.6	21.9	22.9	23.2
	3H	23.2	24.1	23.6	24.4	24.8	23.2	24.1	23.6	24.4	24.8
	4H	23.8	24.6	24.2	24.9	25.3	23.8	24.6	24.2	24.9	25.3
	6H	24.1	24.8	24.5	25.2	25.6	24.1	24.8	24.5	25.2	25.6
	8H	24.2	24.9	24.7	25.2	25.7	24.2	24.9	24.7	25.2	25.7
Variation of the observer position for the luminaire distances S											
S = 1.0H		+0.2 / -0.2					+0.2 / -0.2				
S = 1.5H		+0.3 / -0.6					+0.3 / -0.6				
S = 2.0H		+0.6 / -1.0					+0.6 / -1.0				
Standard table		BK04					BK04				
Correction Summand		2.2					2.2				
Corrected Glare Indices referring to 3450lm Total Luminous Flux											



Fuente de luz (LED) reemplazable por un profesional autorizado  
 Replaceable (LED only) light source by an authorized professional.  
 Source lumineuse (LED) remplaçable par un professionnel agréé  
 Sorgente luminosa (LED) sostituibile da parte di un professionista autorizzato  
 Austauschbare (LED) Lichtquelle durch einen autorisierten Fachmann



Equipo de control reemplazable por un profesional autorizado  
 Replaceable control gear by an authorized professional  
 Dispositif de commande remplaçable par un professionnel agréé  
 Alimentatore sostituibile da parte di un professionista autorizzato  
 Auswechselbares Betriebsgerät durch autorisierten Fachmann

INSTRUCCIONES PARA EL FINAL DE VIDA Y LA ELIMINACIÓN LOS COMPONENTES  
 INSTRUCTIONS ON END-OF-LIFE AND COMPONENT DISPOSAL  
 INSTRUCTIONS POUR LA GESTION DES COMPOSANTS EN FIN DE VIE ET LEUR MISE AU REBUT  
 ISTRUZIONI PER IL FINE VITA E LO SMALTIMENTO DEI COMPONENTI  
 ANWEISUNGEN ZUR ENTSORGUNG DER LEUCHTENKOMPONENTEN



Interrumpir la alimentación del aparato  
 Cut the power supply to the luminaire  
 Couper l'alimentation du luminaire  
 Interrompere l'alimentazione dell'apparecchio  
 Stromversorgung der Leuchte unterbrechen



Quitar la(s) fuente(s) de luz para el desecho  
 Remove light source(s) for disposal  
 Retirer la (les) source(s) lumineuse(s) pour l'élimination  
 Rimuovere la/le sorgente/e di luce per lo smaltimento  
 Lichtquelle(n) zur Entsorgung entfernen



Quitar la batería para el desecho  
 Remove the battery for decommissioning  
 Retirer la batterie pour sa mise au rebut  
 Rimuovere la batteria per la dismissione  
 Die Batterie ordnungsgemäß entsorgen



Quitar el equipo de control para el desecho  
 Remove control gear for disposal  
 Retirer le dispositif de commande pour l'élimination  
 Rimuovere l'alimentatore per lo smaltimento  
 Betriebsgerät zur Entsorgung ausbauen

Enviar los materiales a un centro de recogida RAEE  
 Send the materials to a WEEE collection centre  
 Envoyer les matériaux dans une déchetterie DEEE  
 Inviare i materiali ad un centro di raccolta RAEE  
 Die Materialien in einem WEEE-Zentrum entsorgen

